



Protector[®]

Storage Cabinets, Base Stands & Fume Hood Accessories



Protecting your
laboratory environment
LABCONCO[®]



Storage Cabinets & Base Stands

Selection Guide

Complete your installation of a Labconco fume hood or enclosure with a Labconco base cabinet or stand and work surface. Add accessories for on-site customization of your laboratory hood.

Table of Contents

Storage Cabinets & Base Stands Selection Guide	3
Protector® Acid Storage Cabinets	4
Protector® Solvent Cabinets	6
Protector® Standard Cabinets	8
Protector® Vacuum Pump Storage Cabinets.....	10
Telescoping Base Stands.....	11
Electric & Manual Hydraulic Lift Base Stands	12
ADA* Base Stands	14
Flat Work Surfaces & Accessories.....	15
SpillStopper™ Work Surfaces	16
Service Fixture Kits.....	19
Ceiling Enclosure Kits	20
Ceiling Enclosure Kits, Rear Finish Panel Kits	21
Distillation Grid Kits, Cupsinks, Duplex Kits, Snuffer™ Fire Extinguishers	22
Washdown Valve Kit, Sash stop kits, Shelf kits, Guardian™ Airflow Monitor Kits	23
Guardian™ Airflow Monitor Kits	24



ADA*-height Protector® Standard Storage Cabinets 9904500 and 9904200 support a 5' Protector® XL Laboratory Hood and SpillStopper™ Work Surface. Contact Labconco for information on the rear finish panel.

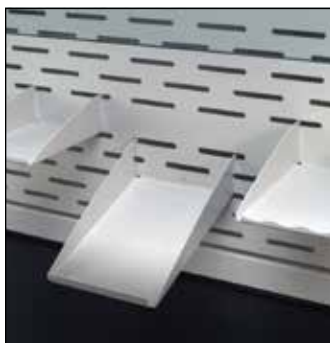


Protector® Standard Storage Cabinet 9900100 and Protector® Acid Storage Cabinet 9901100 support a 6' Protector® XStream™ Laboratory Hood and SpillStopper™ Work Surface.

*Americans with Disabilities Act



Telescoping Base Stand 3746700 supports a 2' Protector® XVS™ Ventilation Station and Black Solid Epoxy Work Surface.



Utility Shelves 3925000 attach to the slotted baffle of various Labconco fume hoods and enclosures.



Protecting your
laboratory environment

LABCONCO®



Storage Cabinets & Base Stands

Selection Guide

Base cabinets and stands may be mixed or matched so that their total width equals the width of the Labconco fume hood or enclosure they support.*

Storage Cabinets

Width/Description	ACID			SOLVENT		
	Dual Doors	Right Hinge	Left Hinge	Dual Doors	Right Hinge	Left Hinge
48"	9901000	—	—	9902000	—	—
36"	9901100	—	—	9902100	—	—
30"	9901200	—	—	9902200	—	—
24"	—	9901300	9901500	—	9902300	9902400
18"	—	9901400	9901600	—	—	—
48" w/self-closing doors	—	—	—	9903000	—	—
36" w/self-closing doors	—	—	—	9903100	—	—
30" w/self-closing doors	—	—	—	9903200	—	—
24" w/self-closing doors	—	—	—	—	9903300	9903400
24" ADA	—	9905000	9905200	—	9906000	9906100
24" ADA w/ self-closing doors	—	—	—	—	9906200	9906300
18" ADA	—	9905100	9905300	—	—	—

Width/Description	STANDARD			VACUUM PUMP		
	Dual Doors	Right Hinge	Left Hinge	Dual Doors	Right Hinge	Left Hinge
48"	9900000	—	—	—	—	—
36"	9900100	—	—	—	—	—
30"	9900200	—	—	—	—	—
24"	—	9900300	9900600	—	—	—
18"	—	9900400	9900700	—	9907000	9907100
12"	—	9900500	9900800	—	—	—
24" ADA	—	9904000	9904300	—	—	—
18" ADA	—	9904100	9904400	—	—	—
12" ADA	—	9904200	9904500	—	—	—

Base Stands

Width	TELESCOPING		HYDRAULIC LIFT			ADA
	w/Fixed Feet	w/Casters	Electric 115 Volts, 60 Hz	Electric 230 volts, 50 Hz**	Manual	
24"	3746700	3746710	—	—	—	—
36"	3746701	3746711	3780300	3780303	3780400	—
48"	3746702	3746712	3780301	3780304	3780401	9938600
60"	3746703	3746713	—	—	—	—
72"	3746704	3746714	3780302	3780305	3780402	—

* Basic Laboratory Hoods are not as wide or as deep as the base cabinets, stands and work surfaces that support them.
 ** International electrical configuration



Protector® Acid Storage Cabinets



The interior of the Protector Acid Storage Cabinet is lined with polyethylene for corrosion resistance.

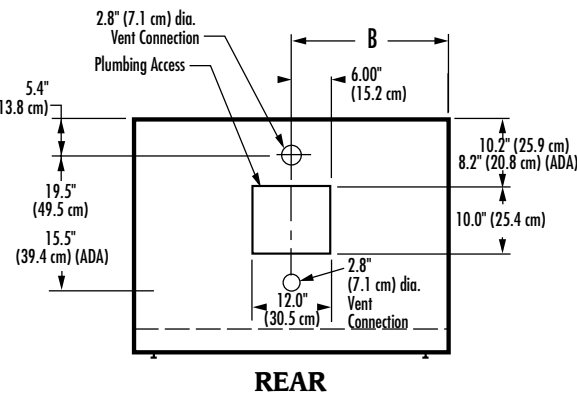
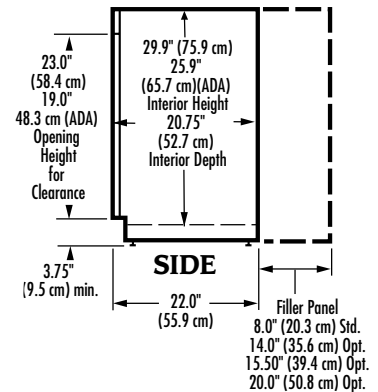
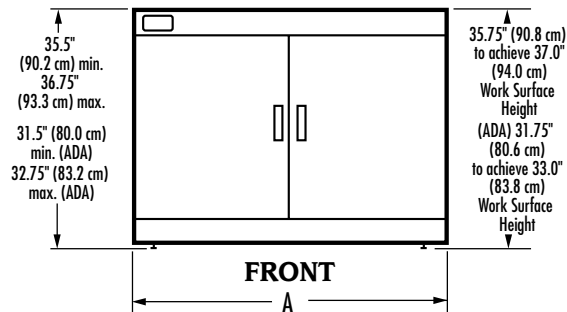
Protector Acid Storage Cabinet 9901100 with dual doors, 36" wide.

Protector Acid Storage Cabinets support Labconco fume hoods and enclosures and safely store and vent acids and other corrosive liquids.

Features:

- Support all Labconco benchtop fume hoods. **Work surface is required.**
- Support loads up to 800 pounds.
- Durable powder-coated steel construction with corrosion-resistant polyethylene-lined interior.
- Attractive glacier white exterior complements laboratory casework and Labconco fume hoods.
- Manual-closing, non-locking door(s).*
- Include integral polyethelene liner tray.
- Include two rear vent connection cutouts for venting the cabinet into a fume hood. Vent Kit 3591100 is sold separately. See page 5.
- Include four leveling feet and one 8" filler panel to increase cabinet depth from 22" to 30".
- Interior shelf kits are listed on page 5. Work surfaces are listed on pages 15-18. Both are sold separately.

Dimensional Data



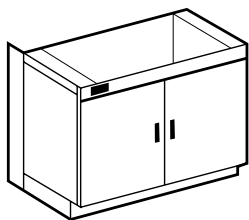
Model	A	B
48"	48.0" (121.9 cm)	24.0" (61.0 cm)
36"	36.0" (91.4 cm)	18.0" (45.7 cm)
30"	30.0" (76.2 cm)	15.0" (38.1 cm)
24"	24.0" (61.0 cm)	12.0" (30.5 cm)
18"	18.0"	9.0"
24" ADA	24.0"	12.0"
18" ADA	18.0"	9.0"





* Contact Labconco for ordering information on Protector Acid Storage Cabinets with locking doors.



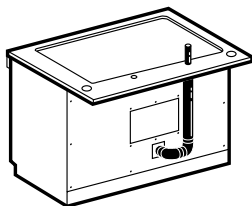
Protector® Acid Storage Cabinets

Ordering Information



Catalog #	Cabinet Dimensions (w x d x h)	Depth with filler panel	Door(s)	Shipping Wt. lbs./kg
9901000	48" x 22" x 35.5" to 36.75" (122 x 56 x 90 to 93 cm)	30" (76 cm)	Dual	260/118
9901100	36" x 22" x 35.5" to 36.75" (91 x 56 x 90 to 93 cm)	30" (76 cm)	Dual	180/82
9901200	30" x 22" x 35.5" to 36.75" (76 x 56 x 90 to 93 cm)	30" (76 cm)	Dual	155/70
9901300	24" x 22" x 35.5" to 36.75" (61 x 56 x 90 to 93 cm)	30" (76 cm)	Single Right Hinge	130/59
9901400	18" x 22" x 35.5" to 36.75" (46 x 56 x 90 to 93 cm)	30" (76 cm)	Single Right Hinge	90/41
9901500	24" x 22" x 35.5" to 36.75" (61 x 56 x 90 to 93 cm)	30" (76 cm)	Single Left Hinge	130/59
9901600	18" x 22" x 35.5" to 36.75" (46 x 56 x 90 to 93 cm)	30" (76 cm)	Single Left Hinge	90/41
 9905000	24" x 22" x 31.5" to 32.75" (61 x 56 x 80 to 83 cm)	30" (76 cm)	Single Right Hinge	120/54
 9905100	18" x 22" x 31.5" to 32.75" (46 x 56 x 80 to 83 cm)	30" (76 cm)	Single Right Hinge	85/39
 9905200	24" x 22" x 31.5" to 32.75" (61 x 56 x 80 to 83 cm)	30" (76 cm)	Single Left Hinge	120/54
 9905300	18" x 22" x 31.5" to 32.75" (46 x 56 x 80 to 83 cm)	30" (76 cm)	Single Left Hinge	85/39

Accessories



3591100 Vent Kit

Used for venting the Protector Acid Storage Cabinet through the SpillStopper Work Surface and into the fume hood. Includes one plastic vent tube assembly complete with 2" diameter threaded connection locknut,

flexible tubing and vent extension. Shipping weight 5 lbs. (2.3 kg)

Interior Shelf Kits

Include powder-coated steel shelf, acid-resistant PVC tray and mounting hardware.

Width	Catalog #	Shipping Wt. lbs./kg
48"	9919000	15/6.8
36"	9919001	12/5.4
30"	9919002	10/4.5
24"	9919003	8/3.6
18"	9919004	7/3.2

Filler Panels

One 8" filler panel is included with each Storage Cabinet to extend cabinet depth to 30" and to enclose the utility chase behind the cabinet. Cabinets supporting hoods with external depths greater than 31.7" require deeper filler panels.

Catalog #	Description	Shipping Wt. lbs./kg
9920306	Filler Panel, 8" deep	10/4.5
9920310	Filler Panel, 14" deep	13/5.9
9920312	Filler Panel, 20" deep	15/6.8
9920301	Filler Panel, 15.5" deep	13/5.9
9920307	ADA Filler Panel, 8" deep	9/4.1
9920311	ADA Filler Panel, 14" deep	12/5.4
9920313	ADA Filler Panel, 20" deep	14/6.4
9920304	ADA Filler Panel, 15.5" deep	12/5.4

1589700 Acid Cabinet Vent Hole Plug

Used for plugging the ventilation hole if you are unable to vent the acid cabinet into a fume hood. Shipping Weight 1 lb. (0.5 kg)



Protector® Solvent Storage Cabinets



Protector Solvent Storage Cabinet 9903100 with dual, automatic self-closing/self-latching doors, 36" wide.



Protector Solvent Storage Cabinet 9902200, 30" wide, with dual, manual-closing doors.



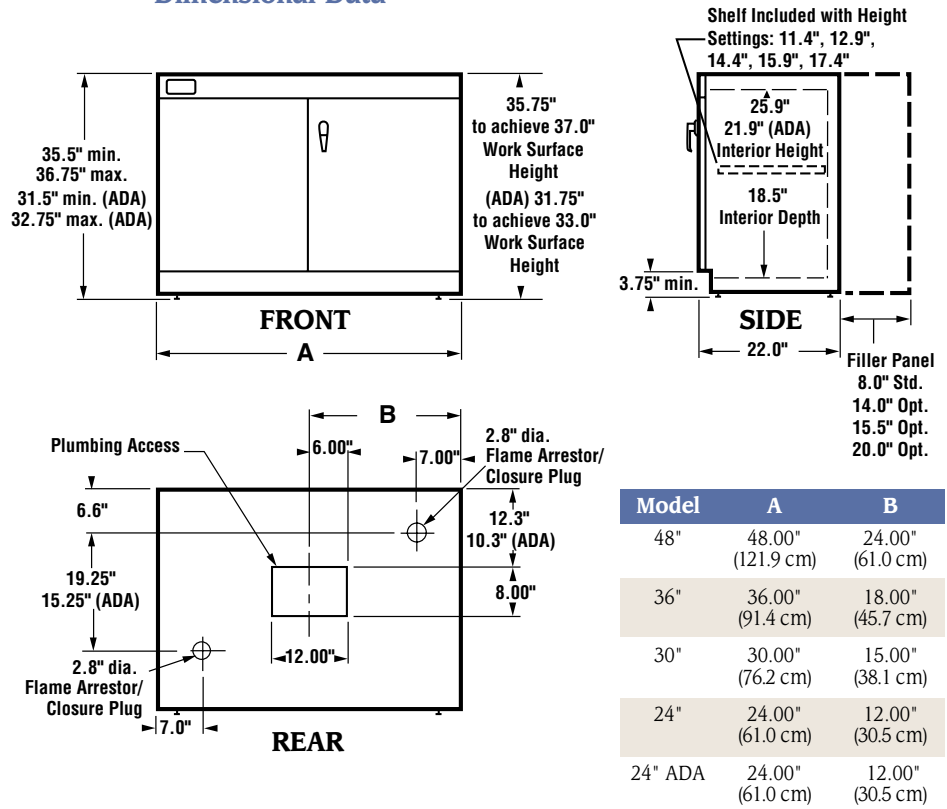
Protector Solvent Storage Cabinet 9903200, 36" wide, with dual, automatic self-closing doors.

Protector Solvent Storage Cabinets support Labconco fume hoods and safely store and vent solvents and other flammable liquids.

Features:

- Support all Labconco benchtop fume hoods. **Work surface is required.**
- Support loads up to 800 pounds.
- Durable dual wall powder-coated steel construction with 1.5" air gap.
- Attractive glacier white exterior complements laboratory casework and Labconco fume hoods.
- Include key lock. Doors are manual-closing or self-closing/self-latching with sequencing mechanism. Self-closing door(s) close automatically in case of fire when temperature reaches 165° F (74° C).
- Meet National Fire Protection Association (NFPA) 30-2003 Flammable and Combustible Liquids Code Specifications.
- Include powder-coated steel interior shelf with five height settings.
- Include two rear vent connections with flame arrestors and closure plugs.
- Include four leveling feet and one 8" filler panel to increase cabinet depth from 22" to 30".
- Work surface is sold separately.
See pages 15 to 18.

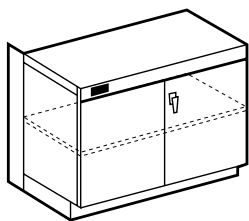
Dimensional Data









Protector® Solvent Storage Cabinets

Ordering Information



Catalog #	Cabinet Dimensions (w x d x h)	Depth with standard filler panel	Door(s)	Gallon Capacity	Shipping Wt. lbs./kg
9902000*	48" x 22" x 35.5" to 36.75" (122 x 56 x 90 to 93 cm)	30" (76 cm)	Dual Manual	45	260/118
9902100*	36" x 22" x 35.5" to 36.75" (91 x 56 x 90 to 93 cm)	30" (76 cm)	Dual Manual	30	180/82
9902200*	30" x 22" x 35.5" to 36.75" (76 x 56 x 90 to 93 cm)	30" (76 cm)	Dual Manual	25	155/70
9902300	24" x 22" x 35.5" to 36.75" (61 x 56 x 90 to 93 cm)	30" (76 cm)	Single, Right Hinge Manual	20	130/59
9902400	24" x 22" x 35.5" to 36.75" (61 x 56 x 90 to 93 cm)	30" (76 cm)	Single, Left Hinge Manual	20	130/59
 9906000	24" x 22" x 31.5" to 32.75" (61 x 56 x 80 to 83 cm)	30" (76 cm)	Single, Right Hinge Manual	15	120/54
 9906100	24" x 22" x 31.5" to 32.75" (61 x 56 x 80 to 83 cm)	30" (76 cm)	Single, Left Hinge Manual	15	120/54
9903000*	48" x 22" x 35.5" to 36.75" (122 x 56 x 90 to 93 cm)	30" (76 cm)	Dual Self-Closing/Self-Latching	45	260/118
9903100*	36" x 22" x 35.5" to 36.75" (91 x 56 x 90 to 93 cm)	30" (76 cm)	Dual Self-Closing/Self-Latching	30	180/82
9903200*	30" x 22" x 35.5" to 36.75" (76 x 56 x 90 to 93 cm)	30" (76 cm)	Dual Self-Closing/Self-Latching	25	155/70
9903300	24" x 22" x 35.5" to 36.75" (61 x 56 x 90 to 93 cm)	30" (76 cm)	Single, Right Hinge Self-Closing/Self-Latching	20	130/59
9903400	24" x 22" x 35.5" to 36.75" (61 x 56 x 90 to 93 cm)	30" (76 cm)	Single, Left Hinge Self-Closing/Self-Latching	20	130/59
 9906200	24" x 22" x 31.5" to 32.75" (61 x 56 x 80 to 83 cm)	30" (76 cm)	Single, Right Hinge Self-Closing/Self-Latching	15	120/54
 9906300	24" x 22" x 31.5" to 32.75" (61 x 56 x 80 to 83 cm)	30" (76 cm)	Single, Left Hinge Self-Closing/Self-Latching	15	120/54

Accessories

Filler Panels

One 8" filler panel is included with each Storage Cabinet to extend cabinet depth to 30" and to enclose the utility chase behind the cabinet. Cabinets supporting hoods with external depths greater than 31.7" require deeper filler panels.

Catalog #	Description	Shipping Wt. lbs./kg
9920306	Filler Panel, 8" deep	10/4.5
9920310	Filler Panel, 14" deep	13/5.9
9920312	Filler Panel, 20" deep	15/6.8
9920301	Filler Panel, 15.5" deep	13/5.9
9920307	ADA Filler Panel, 8" deep	9/4.1
9920311	ADA Filler Panel, 14" deep	12/5.4
9920313	ADA Filler Panel, 20" deep	14/6.4
9920304	ADA Filler Panel, 15.5" deep	12/5.4

9910000 Solvent Vent Kit

Includes 1.5" diameter metal flexible hose, two hose clamps and 2" NPT x 1.5" slip-fit outlet adapter. Shipping weight 5 lbs. (2.3 kg)

 Cabinet height meets requirements of the ADA.

* Factory Mutual approved



Protector® Standard Storage Cabinets



Protector Standard Storage Cabinet 9900000, 48" wide, with dual doors.



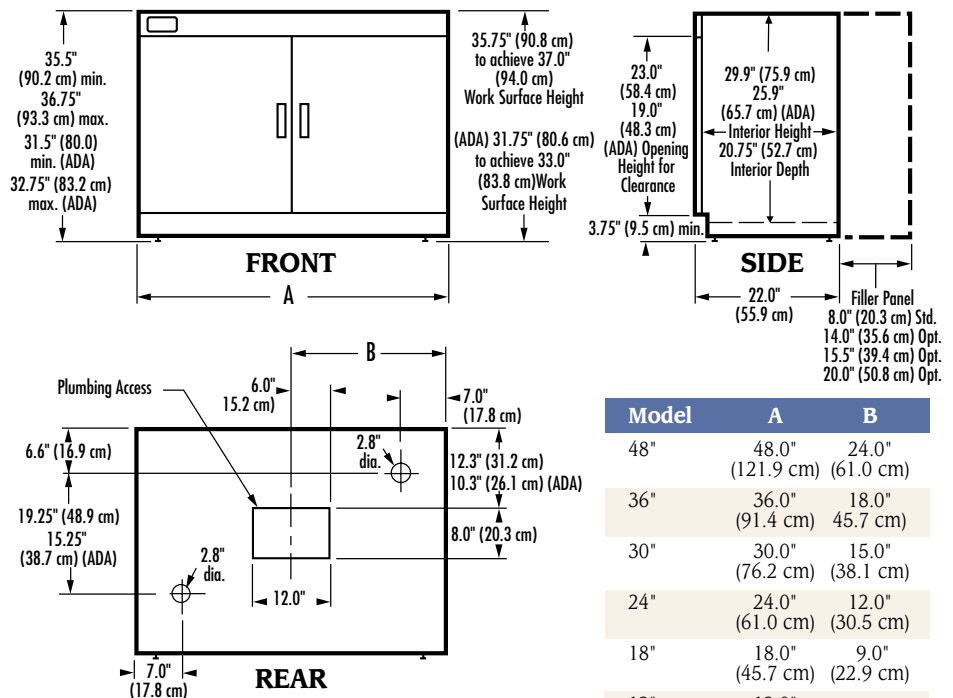
Protector Standard Storage Cabinet 9904000, 24" wide, ADA height, with right hinge, single door.

Protector Standard Storage Cabinets support Labconco fume hoods and may be used for storage of supplies and small laboratory instruments.

Features:

- Support all Labconco benchtop fume hoods. **Work surface is required.**
- Support loads up to 800 pounds.
- Durable powder-coated steel construction.
- Attractive glacier white exterior complements laboratory casework and Labconco fume hoods.
- Manual-closing, non-locking door(s).*
- Include four leveling feet and one 8" filler panel to increase cabinet depth from 22" to 30".
- Work surface is sold separately. See pages 15 to 18.
- Interior shelf kits are listed on page 9 and are sold separately.

Dimensional Data



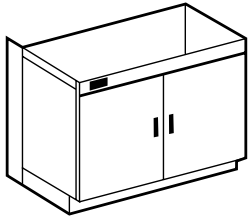
Model	A	B
48"	48.0" (121.9 cm)	24.0" (61.0 cm)
36"	36.0" (91.4 cm)	18.0" (45.7 cm)
30"	30.0" (76.2 cm)	15.0" (38.1 cm)
24"	24.0" (61.0 cm)	12.0" (30.5 cm)
18"	18.0" (45.7 cm)	9.0" (22.9 cm)
12"	12.0" (30.5 cm)	—
24" ADA	24.0" (61.0 cm)	12.0" (30.5 cm)
18" ADA	18.0" (45.7 cm)	9.0" (22.9 cm)
12" ADA	12.0" (30.5 cm)	—







* Contact Labconco for ordering information on Protector Standard Storage Cabinets with locking doors.



Protector® Standard Storage Cabinets

Ordering Information



Catalog #	Cabinet Dimensions (w x d x h)	Depth with standard filler panel	Door(s)	Shipping Wt. lbs./kg
9900000	48" x 22" x 35.5" to 36.75" (122 x 56 x 90 to 93 cm)	30" (76 cm)	Dual	260/118
9900100	36" x 22" x 35.5" to 36.75" (91 x 56 x 90 to 93 cm)	30" (76 cm)	Dual	180/82
9900200	30" x 22" x 35.5" to 36.75" (76 x 56 x 90 to 93 cm)	30" (76 cm)	Dual	155/70
9900300	24" x 22" x 35.5" to 36.75" (61 x 56 x 90 to 93 cm)	30" (76 cm)	Single Right Hinge	130/59
9900400	18" x 22" x 35.5" to 36.75" (46 x 56 x 90 to 93 cm)	30" (76 cm)	Single Right Hinge	90/41
9900500	12" x 22" x 35.5" to 36.75" (30 x 56 x 90 to 93 cm)	30" (76 cm)	Single Right Hinge	65/29
9900600	24" x 22" x 35.5" to 36.75" (61 x 56 x 90 to 93 cm)	30" (76 cm)	Single Left Hinge	130/59
9900700	18" x 22" x 35.5" to 36.75" (46 x 56 x 90 to 93 cm)	30" (76 cm)	Single Left Hinge	90/41
9900800	12" x 22" x 35.5" to 36.75" (30 x 56 x 90 to 93 cm)	30" (76 cm)	Single Left Hinge	65/29
 9904000	24" x 22" x 31.5" to 32.75" (61 x 56 x 80 to 83 cm)	30" (76 cm)	Single Right Hinge	120/54
 9904100	18" x 22" x 31.5" to 32.75" (46 x 56 x 80 to 83 cm)	30" (76 cm)	Single Right Hinge	85/39
 9904200	12" x 22" x 31.5" to 32.75" (30 x 56 x 80 to 83 cm)	30" (76 cm)	Single Right Hinge	60/27
 9904300	24" x 22" x 31.5" to 32.75" (61 x 56 x 80 to 83 cm)	30" (76 cm)	Single Left Hinge	120/54
 9904400	18" x 22" x 31.5" to 32.75" (46 x 56 x 80 to 83 cm)	30" (76 cm)	Single Left Hinge	85/39
 9904500	12" x 22" x 31.5" to 32.75" (30 x 56 x 80 to 83 cm)	30" (76 cm)	Single Left Hinge	60/27

Accessories

Interior Shelf Kits

Include powder-coated steel shelf and mounting hardware. Shelf may be mounted at one of three heights: 13.0", 15.25", 17.0" (9.5", 11.25" and 13.0" for ADA height cabinets).

Width	Catalog #	Shipping Wt. lbs./kg
48"	9919100	15/6.8
36"	9919101	12/5.4
30"	9919102	10/4.5
24"	9919103	8/3.6
18"	9919104	7/3.2
12"	9919105	5/2.3

Filler Panels

One 8" filler panel is included with each Storage Cabinet to extend cabinet depth to 30" and to enclose the utility chase behind the cabinet. Cabinets supporting hoods with external depths greater than 31.7" require deeper filler panels.

Catalog #	Description	Shipping Wt. lbs./kg
9920306	Filler Panel, 8" deep	10/4.5
9920310	Filler Panel, 14" deep	13/5.9
9920312	Filler Panel, 20" deep	15/6.8
9920301	Filler Panel, 15.5" deep	13/5.9
9920307	ADA Filler Panel, 8" deep	9/4.1
9920311	ADA Filler Panel, 14" deep	12/5.4
9920313	ADA Filler Panel, 20" deep	14/6.4
9920304	ADA Filler Panel, 15.5" deep	12/5.4



Cabinet height meets requirements of the ADA.



Protector® Vacuum Pump Storage Cabinets

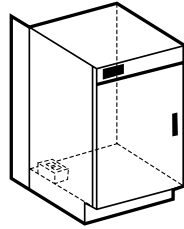


Protector Vacuum Pump Storage Cabinet 9907100 with left hinge door.

Protector Vacuum Pump Storage Cabinets provide enclosed space for vacuum pump storage.

Features:

- Durable powder-coated steel construction.
- Attractive glacier white exterior complements laboratory casework and Labconco fume hoods.
- Manual-closing, non-locking door.
- Include four leveling feet and one 8" filler panel to increase cabinet depth from 22" to 30".
- Include one 115 volt, 60 Hz electrical duplex receptacle to provide power to the vacuum pump. **Wiring is required.**
- Include two rear cutouts for pass through of vacuum pump tubing or cabinet ventilation. Vent kit 3591100 is sold separately. See page 5.
- **Work surface is required** and sold separately. See pages 15 to 18.



Ordering Information

Catalog #	Cabinet Dimensions (w x d x h)	Depth with standard filler panel	Door	Shipping Wt. lbs./kg
9907000	18" x 22" x 35.5" to 36.75" (46 x 56 x 90 to 93 cm)	30" (76 cm)	Right Hinge	90/41
9907100	18" x 22" x 35.5" to 36.75" (46 x 56 x 90 to 93 cm)	30" (76 cm)	Left Hinge	90/41

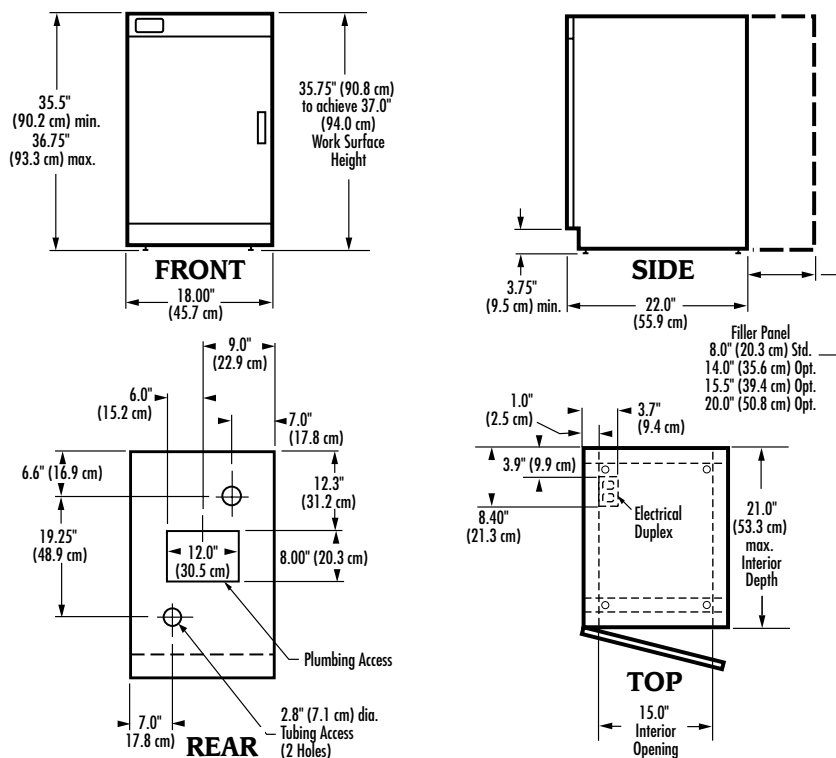
Accessories

Filler Panels

One 8" filler panel is included with each Storage Cabinet to extend cabinet depth to 30" and to enclose the utility chase behind the cabinet.

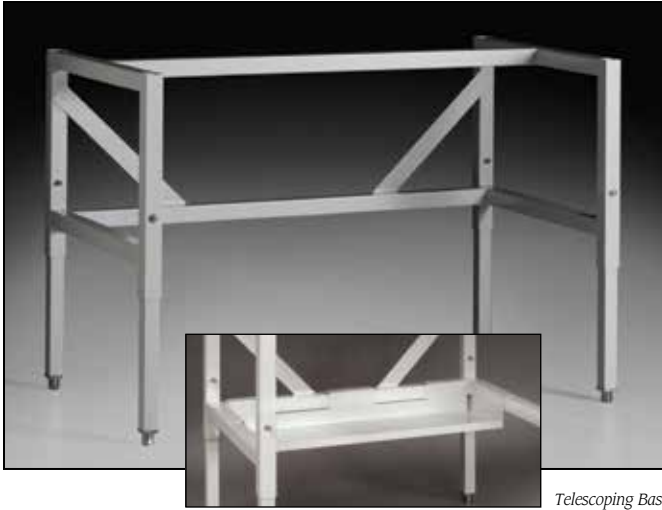
Catalog #	Description	Shipping Wt. lbs./kg
9920306	Filler Panel, 8" deep	10/4.5
9920310	Filler Panel, 14" deep	13/5.9
9920312	Filler Panel, 20" deep	15/6.8
9920301	Filler Panel, 15.5" deep	13/5.9

Dimensional Data





Telescoping Base Stands



Telescoping Base Stand 3746702, 4' wide. Inset: Accessory Shelf 3811101, 3' wide.

Base Stands have telescoping legs so that they may be adjusted to eight height positions.*

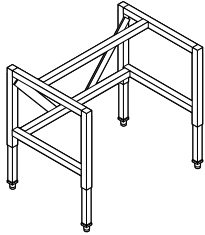
Features:

- Support Labconco fume hoods and enclosures.
- Durable 1.75" tubular, powder-coated steel.
- Attractive glacier white exterior complements laboratory casework and Labconco fume hoods.
- Adjust to eight height positions in 1" increments from 27.5 to 34.5".*
- Include four fixed leveling feet or 5" diameter toe-locking casters.
- Accessory Shelf, powder-coated 18 gauge steel, is designed to hook on the lower rear horizontal cross member. 9.9" (25.1 cm) deep. Sold separately. See below.
- Work surface is sold separately. See pages 15 to 18.
- Supports loads to 4000 pounds.

Ordering Information

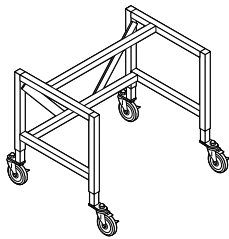
Select the Base Stand that matches the width of the fume hood or enclosure it supports. When supporting enclosures with widths of 8 feet or larger, Base Stands of multiple widths may be mixed and matched so that their total width equals the width of the hood.

Telescoping Base Stands with Fixed Feet



Nominal Width	Catalog #	Actual Width (A)	Shipping Wt. lbs./kg	For Use With:
2 feet	3746700	24.0" (61.0 cm)	65/29	Paramount, Protector XVS Station
3 feet	3746701	36.0" (91.4 cm)	72/33	Protector XL, Fiberglass 30 Hood**, Paramount, Protector XVS Station, Demonstration Hood
4 feet	3746702	48.0" (121.0 cm)	80/36	Protector Hood, Basic 47 Hood**, Paramount, Protector XVS Station, Protector Work Station
5 feet	3746703	60.0" (152.4 cm)	85/39	Protector Hood, Paramount
6 feet	3746704	72.0" (182.9 cm)	92/42	Protector Hood, Basic 70 Hood**, Paramount

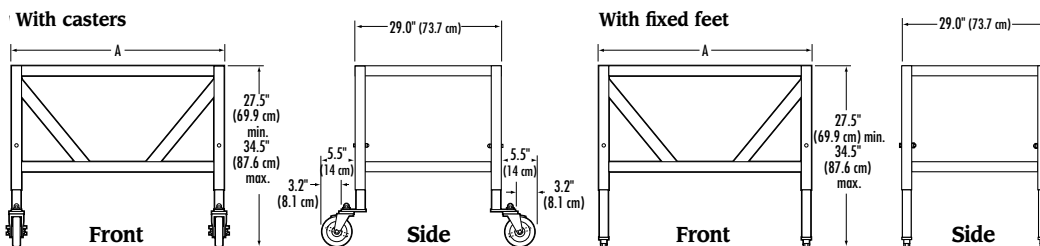
Telescoping Base Stands with 5" diameter Toe-Locking Casters†



Nominal Width	Catalog #	Actual Width (A)	Shipping Wt. lbs./kg	For Use With:
2 feet	3746710	24.0" (61.0 cm)	65/29	Paramount, Protector XVS Station
3 feet	3746711	36.0" (91.4 cm)	76/34	Paramount, Protector XVS Station, Demonstration Hood
4 feet	3746712	48.0" (121.0 cm)	84/38	Paramount, Protector XVS Station, Protector Work Station
5 feet	3746713	60.0" (152.4 cm)	85/39	Paramount
6 feet	3746714	72.0" (182.9 cm)	96/44	Paramount, Protector XVS Station

Accessory Shelves

Nominal Width	Catalog #	Actual Width (A)	Shipping Wt. lbs./kg	Nominal Width	Catalog #	Actual Width (A)	Shipping Wt. lbs./kg
3 feet	3811101	36.0" (91.4 cm)	12/5	5 feet	3811103	60.0" (152.4 cm)	19/9
4 feet	3811102	48.0" (121.0 cm)	16/7	6 feet	3811104	72.0" (182.9 cm)	23/10



* Height selection and adjustment are required before the hood or enclosure is installed atop the stand.

** Basic and Fiberglass 30 Hoods are narrower than the base stands that support them.

† Enclosures supported by mobile Base Stands will require special modifications to incorporate flexible ducting, wiring and plumbing when applied.



Electric & Manual Hydraulic Lift Base Stands



Electric Hydraulic Lift Base Stand 3780300 is shown with Accessory Caster Kit 3784000.



Manual Hydraulic Lift Base Stand 3780401.



Base stands have a built-in hydraulic lift so that height may be adjusted at any time. Stands are available with an electric lift and up/down switch or a manual lift and a hand crank. These adjustable stands allow you to position the stand and the enclosure it supports to accommodate persons of different heights and wheelchair-bound users, to transport equipment through doorways, and easier service access. When coupled with a flat work surface, the stands may be used alone as an adjustable height table.

 Stand height meets requirements of the ADA.

* Enclosures supported by mobile Base Stands will require special modifications to incorporate flexible ducting, wiring and plumbing when applied. SoLo™ Hydraulic Lift Base Stands are also available to support Paramount Ductless Enclosures. Contact Labconco for ordering information.

Features (All Models):

- Support Paramount Ductless Enclosures, Protector XVS Ventilation Stations and Demonstration Hoods.
- Support loads up to 1000 pounds.
- ADA-compliant.
- Durable 1.75" tubular, powder-coated steel frame with rear crossbar supports. Support frame is 2.0" x 3.0".
- Attractive glacier white exterior complements laboratory casework and Labconco products.
- Height is infinitely adjustable from 25.5" to 33.5" high.
- Include four powder-coated, die-cast feet with levelers.

- Optional accessory 5" diameter, toe-locking Caster Kit is available for field installation. See below.
- **Work surface is not included.** See pages 15 to 18.

Features

(Electric Hydraulic Lift Models):

- Include front-accessible up/down switch.
- Available in two electrical configurations. Models for 115 volt, 60 Hz operation include a 12-foot, 3-wire cord and plug. Models for 230 volt, 50 Hz operation include a 12-foot, 3-wire cord and NEMA 6-15P plug.
- Electrical components are UL listed.

Features

(Manual Hydraulic Lift Models):

- Include front-accessible hand crank. Turning the crank clockwise raises the stand; counterclockwise lowers it. The handle may be disengaged and folded under, out of the way, when not in use.

Accessory

3784000 Caster Kit*

Casters add mobility to the Hydraulic Lift Base Stand. Kit includes four 5" diameter, non-marking polyurethane casters with toe locks. Load rating for each caster is 250 pounds. Casters have bearings for quiet operation. Casters replace the fixed feet that are included with the stand.

Installation is required. Shipping weight 10 lbs. (4.5 kg)

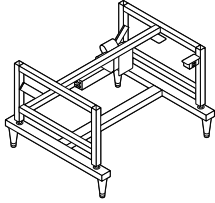


Electric & Manual Hydraulic Lift Base Stands

Ordering Information

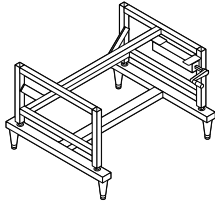
Select the Base Stand that matches the width of the enclosure it supports. Each base stand supports 1000 lbs.

Electric Hydraulic Lift Base Stands



Nominal Width	Catalog #	Overall Width x Depth	Switch Location	Electrical Requirements	Shipping Wt. lbs./kg	For Use With:
3 feet	3780300	37.2" w x 34.3" d	Right Side	115 volts, 60 Hz, 2.4 amps	100/45	Paramount, Protector XVS, Demonstration Hood
3 feet	3780303*	37.2" w x 34.3" d	Right	230 volts,	100/45	Paramount, Protector XVS, Demonstration Hood
4 feet	3780301	49.2" w x 34.3" d	Right Side	115 volts, 60 Hz, 2.4 amps	120/54	Paramount, Protector XVS, Protector Work Station**
4 feet	3780304*	49.2" w x 34.3" d	Right Side	230 volts, 50 Hz, 0.8 amps	120/54	Paramount, Protector XVS, Protector Work Station**
6 feet	3780302	73.2" w x 34.3" d	Right Side	115 volts, 60 Hz, 2.4 amps	150/68	Paramount, Protector XVS
6 feet	3780305*	73.2" w x 34.3" d	Right Side	230 volts, 50 Hz, 0.8 amps	150/68	Paramount, Protector XVS

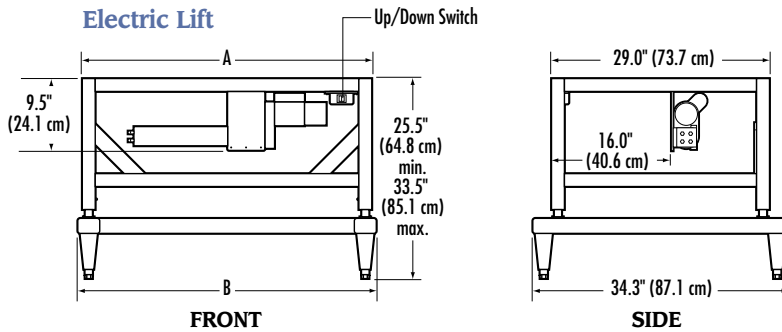
Manual Hydraulic Lift Base Stands



Nominal Width	Catalog #	Overall Width x Depth	Handle Location	Shipping Wt. lbs./kg	For Use With:
3 feet	3780400	37.2" w x 34.3" d	Right Side	100/45	Paramount, Protector XVS, Demonstration Hood
4 feet	3780401	49.2" w x 34.3" d	Right Side	120/54	Paramount, Protector XVS, Protector Work Station**
6 feet	3780402	73.2" w x 34.3" d	Right Side	150/68	Paramount, Protector XVS

* International electrical configuration

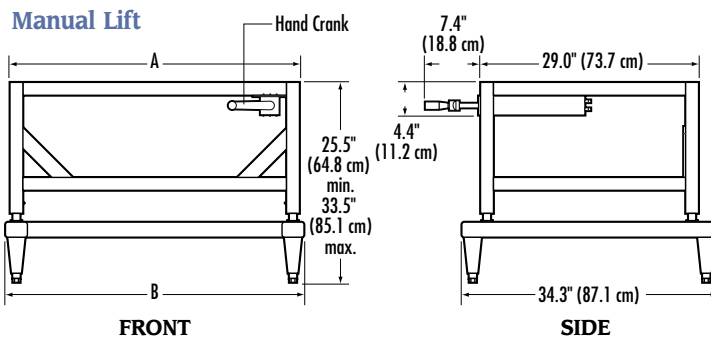
**Not compatible with 6942003 Work Surface with Sink



3-Foot Models	A	B
3780300, 3780303, 3780400	36.0" (91.4 cm)	37.2" (94.5 cm)

4-Foot Models	A	B
3780301, 3780304, 3780401	48.0" (121.9 cm)	49.2" (125.0 cm)

6-Foot Models	A	B
3780302, 3780305, 3780402	72.0" (182.9 cm)	73.2" (185.9 cm)





ADA Base Stand



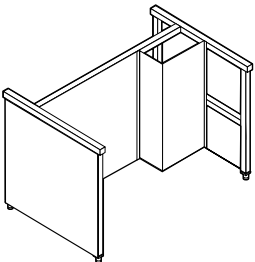
ADA Base Stand 9938600. Finish panels are not shown.

The ADA Base Stand is designed to support 4' hoods to the ADA Standard for height and knee clearance.

Features:

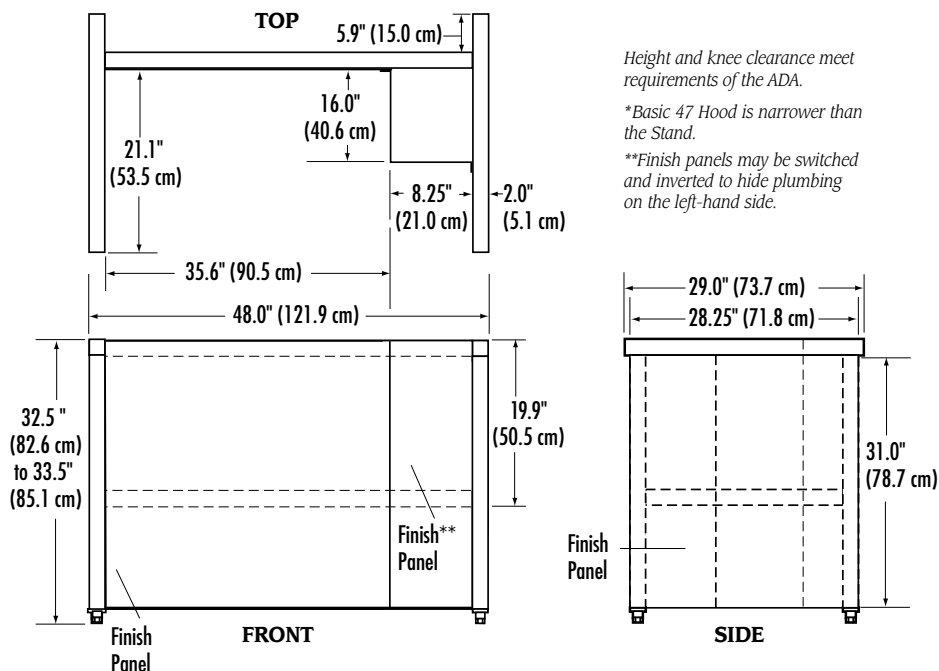
- Supports 4' Labconco fume hoods and enclosures including Protector Premier, XStream, XL Benchtop, Stainless Steel and PVC; and Basic Hoods, Paramount Ductless Enclosures, Protector XVS Ventilation Stations and Protector Work Stations.
- Durable 2" tubular, powder-coated steel.
- Attractive glacier white exterior complements laboratory casework and Labconco fume hoods.
- Includes four fixed leveling feet and powder-coated finish panels: two side, one back and one to hide a sink and plumbing mounted on either side.
- For work surfaces without a rear sink. Order work surfaces with left or right side sink locations or without a sink.
Work surface is sold separately. See pages 15-18.

Ordering Information



Nominal Width	Catalog #	Width	Depth	Height	Shipping Wt. lbs./kg	For Use With:
4 feet	9938600	48.0"	29.0"	32.5" - 33.5"	84/38	Protector Hood, Basic 47 Hood,* Paramount, Protector XVS, Protector Work Station

Dimensional Data

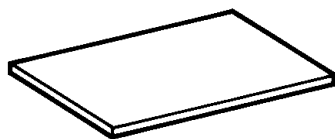




Flat Work Surfaces & Accessories

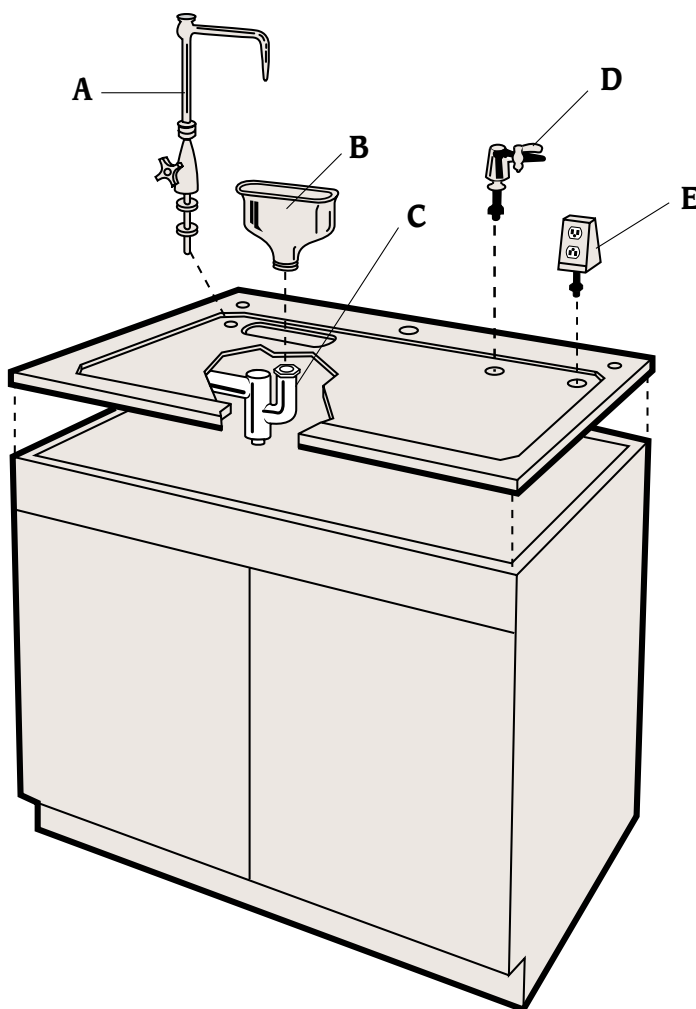
Flat Solid Epoxy Work Surfaces

For Use with Labconco Enclosures including Fiberglass 30 and Basic Laboratory Hoods and Fume Adsorbers*



Catalog #	Description	Shipping Wt. lbs./kg
4882806	30" w x 30" d x 1.25" thick, no cutouts	86/39
4882805	36" w x 30" d x 1.25" thick, no cutouts	90/41
4882803	48" w x 30" d x 1.25" thick, no cutouts	110/50
4882804	72" w x 30" d x 1.25" thick, no cutouts	205/93

Spillstopper™ & Flat Work Surface Accessories



- (A) **4005100 Cold Water Faucet with Rigid Gooseneck** Factory-drilled mounting hole in work surface is required. Shipping weight 4 lbs. (1.8 kg)
- (A) **4005900 Cold Water Faucet with Rigid Gooseneck and Vacuum Breaker** Factory-drilled mounting hole in work surface is required. Shipping weight 4 lbs. (1.8 kg)
- (B) **4005200 Oval Polypropylene Cupsink** Mounts in work surface with cupsink cutout. 3" x 6". 1.5" NPSM** thread. Shipping weight 4 lbs. (1.8 kg)
4005201 Cupsink Cover Black solid epoxy resin cover for oval cupsink cutout. Provides a continuous work surface when a cupsink is not in use. 7.4" wide x 4.4" deep x 0.3" thick (19 x 12 x 0.8 cm). Shipping weight 2 lbs. (0.9 kg)
- (C) **4005400 Trap, Lead** 1.5" diameter drum with coupling nut. For use with cupsink. Shipping weight 10 lbs. (4.5 kg)
- (C) **1432600 Trap, PVC** 1.5" diameter drum with coupling nut. For use with cupsink. Shipping weight 10 lbs. (4.5 kg)
- 1361100 Sepia Bronze-Coated Cold and Hot Water Mixing Faucet with Swivel Gooseneck** Not shown. Factory-drilled mounting hole in work surface is required. Shipping weight 4 lbs. (1.8 kg)
- 1361200 Chrome-Plated Cold and Hot Water Mixing Faucet with Swivel Gooseneck** Not shown. Factory-drilled mounting hole in work surface is required. Shipping weight 4 lbs. (1.8 kg)
- (D) **4005000 Service Fixture** Specify air, gas or vacuum. Factory-drilled mounting hole in work surface is required. Shipping weight 4 lbs. (1.8 kg)
- (E) **4005800 Electrical Receptacle** Pedestal-type, 115 volt, 15 amp duplex. Factory-drilled mounting hole in work surface is required. Shipping weight 4 lbs. (1.8 kg)

* Basic Hoods and Fume Adsorbers are not as wide or as deep as the work surfaces that support them.

** National Pipe Straight Mechanical



SpillStopper™ Work Surfaces

SpillStopper Work Surface 9500400 for use with 4' Protector Premier and XL Laboratory Hoods



Surface 6986603 for use with 6' Protector ClassMate Laboratory Hoods. See page 18 for Ordering Information and Dimensional Data.

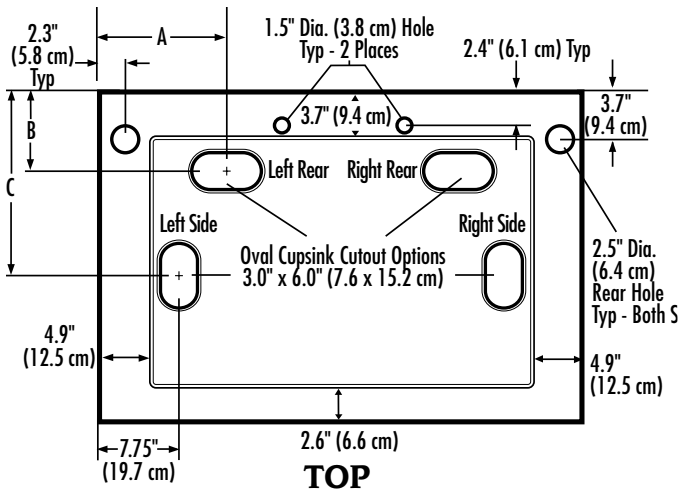
Features:

- Molded from a special formulation of corrosion-resistant epoxy resins.
- Dished and contoured to conform to the interior liner of Protector Laboratory Hoods.
- Front edge has a large radius to aerodynamically direct airflow into the hood.
- Pre-drilled 1.5" diameter holes for venting and 2.5" diameter holes for plumbing passthrough.
- May be ordered with a pre-cut 6" x 3" oval cupsink cutout. Cupsink is sold separately. See page 15.

Contact Labconco at **800-821-5525** or **816-333-8811** for ordering information on work surfaces with pre-drilled cutouts for fixtures, electrical receptacles or larger sinks. Also contact Labconco for information on work surfaces for Paramount Ductless Enclosures, Protector XVS Ventilation Stations and Protector Work Stations.

Dimensional Data

SpillStopper Work Surfaces for Use with Protector Premier, XStream and XL Laboratory Hoods



Hood	Work Surface Depth	A	B	C
Premier, XL	30.0"	9.5" (24.1 cm)	4.6" (11.7 cm)	18.8" (47.8 cm)
XL	36.0"	12.5" (31.8 cm)	7.3" (18.5 cm)	18.8" (47.8 cm)
XL	42.0"	12.5" (31.8 cm)	7.3" (18.5 cm)	14.9" (37.8 cm)
XStream	36.0"	12.5" (31.8 cm)	10.3" (26.2 cm)	18.8" (47.8 cm)

* Contact Labconco for availability on 42" work surfaces.



SpillStopper™ Work Surfaces

Configure Your Catalog Number

Use this key to configure the seven digit catalog number to order your 3', 4', 5', 6', 7' or 8' SpillStopper Work Surface. For example, a **9503610** is a 6' SpillStopper Work Surface, with a left rear cupsink cutout, for use with a Protector XStream Hood.

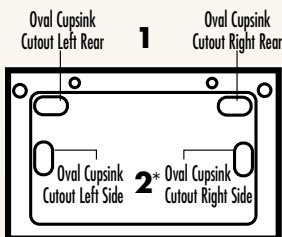
9 5 0

Step 1: Select the **model and exterior depth** of your fume hood. This number is the fourth digit of your catalog number.

Step 2: Select the **nominal width** of your fume hood. This is the fifth digit of your catalog number.

Step 3: Select a **left cupsink cutout** option (cupsink is sold separately). This is the sixth digit of your catalog number.

Step 4: Select a **right cupsink cutout** option (cupsink is sold separately). This is the seventh digit of your catalog number.



Number	Model & Depth
0	Premier or XL with 31.7" depth
1	XL with 37.7" exterior depth
2	XL with 43.7" exterior depth
3	XStream Hoods

Number	Nominal Width
3	3'
4	4'
5	5'
6	6'
7	7'
8	8'

Number	LEFT Cupsink Cutout
0	None
1	Rear
2*	Side

Number	RIGHT Cupsink Cutout
0	None
1	Rear
2*	Side

*Not compatible with Protector Solvent Storage Cabinets.

3', 4', 5', 6', 7' and 8' SpillStopper™ Work Surfaces

Hood Model	Nominal Hood Width	Hood Depth	Shipping Wt. lbs./kg
XL	3'	31.7"	85/39
XL	3'	37.7"	90/41
XL	3'	43.7"	105/48
Premier, XL	4'	31.7"	110/50
XL, XStream	4'	37.7"	120/54
XL	4'	43.7"	140/64
Premier, XL	5'	31.7"	150/68
XL, XStream	5'	37.7"	160/73
XL	5'	43.7"	180/82
Premier, XL	6'	31.7"	205/93
XL, XStream	6'	37.7"	220/100
XL	6'	43.7"	250/113
XL	7'	31.7"	210/95
XL	7'	37.7"	230/104
XL	7'	43.7"	270/122
Premier, XL	8'	31.7"	240/109
XL, XStream	8'	37.7"	250/113
XL	8'	43.7"	290/132

For use with 10', 12' and 16' Protector® XL™ Laboratory Hoods with 30" interior depth

Catalog #	Description	Shipping Wt. lbs./kg
9848200 [†]	10' w x 36" d, two pieces, no cutouts	320/145
9848201 [†]	10' w x 36" d, two pieces, cupsink cutout, left rear	320/145
9848202 [†]	10' w x 36" d, two pieces, cupsink cutout, right rear	320/145
9848203** [†]	10' w x 36" d, two pieces, cupsink cutout, left side	320/145
9848204** [†]	10' w x 36" d, two pieces, cupsink cutout, right side	320/145
9848205 [†]	10' w x 36" d, two pieces, cupsink cutouts, left & right rear	320/145
9848300 [†]	12' w x 36" d, two pieces, no cutouts	440/200
9848301 [†]	12' w x 36" d, two pieces, cupsink cutout, left rear	440/200
9848302 [†]	12' w x 36" d, two pieces, cupsink cutout, right rear	440/200
9848303** [†]	12' w x 36" d, two pieces, cupsink cutout, left side	440/200
9848304** [†]	12' w x 36" d, two pieces, cupsink cutout, right side	440/200
9848305 [†]	12' w x 36" d, two pieces, cupsink cutouts, left & right rear	440/200
9848400 [†]	16' w x 36" d, three pieces, no cutouts	500/228
9848401 [†]	16' w x 36" d, three pieces, cupsink cutout, left rear	500/228
9848402 [†]	16' w x 36" d, three pieces, cupsink cutout, right rear	500/228
9848403** [†]	16' w x 36" d, three pieces, cupsink cutout, left side	500/228
9848404** [†]	16' w x 36" d, three pieces, cupsink cutout, right side	500/228
9848405 [†]	16' w x 36" d, three pieces, cupsink cutouts, left & right rear	500/228

For use with 10', 12' and 16' Protector® and XL Laboratory Hoods with 24" interior depth

Catalog #	Description	Shipping Wt. lbs./kg
9847500 [†]	10' w x 30" d, two pieces, no cutouts	290/132
9847501 [†]	10' w x 30" d, two pieces, cupsink cutout, left rear	290/132
9847502 [†]	10' w x 30" d, two pieces, cupsink cutout, right rear	290/132
9847503** [†]	10' w x 30" d, two pieces, cupsink cutout, left side	290/132
9847504** [†]	10' w x 30" d, two pieces, cupsink cutout, right side	290/132
9847505 [†]	10' w x 30" d, two pieces, cupsink cutouts, left & right rear	290/132
9847600 [†]	12' w x 30" d, two pieces, no cutouts	370/168
9847601 [†]	12' w x 30" d, two pieces, cupsink cutout, left rear	370/168
9847602 [†]	12' w x 30" d, two pieces, cupsink cutout, right rear	370/168
9847603** [†]	12' w x 30" d, two pieces, cupsink cutout, left side	370/168
9847604** [†]	12' w x 30" d, two pieces, cupsink cutout, right side	370/168
9847605 [†]	12' w x 30" d, two pieces, cupsink cutouts, left & right rear	370/168
9847700 [†]	16' w x 30" d, three pieces, no cutouts	480/218
9847701 [†]	16' w x 30" d, three pieces, cupsink cutout, left rear	480/218
9847702 [†]	16' w x 30" d, three pieces, cupsink cutout, right rear	480/218

For use with 10', 12' and 16' Protector® XL™ Laboratory Hoods with 36" interior depth

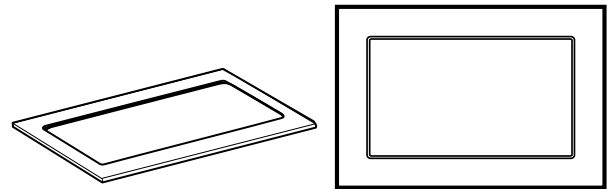
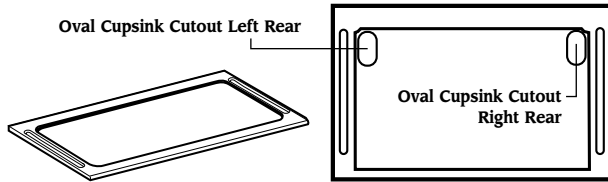
Catalog #	Description	Shipping Wt. lbs./kg
9848900 [†]	10' w x 42" d, two pieces, no cutouts	350/159
9848901 [†]	10' w x 42" d, two pieces, cupsink cutout, left rear	350/159
9848902 [†]	10' w x 42" d, two pieces, cupsink cutout, right rear	350/159
9848903** [†]	10' w x 42" d, two pieces, cupsink cutout, left side	350/159
9848904** [†]	10' w x 42" d, two pieces, cupsink cutout, right side	350/159
9848905 [†]	10' w x 42" d, two pieces, cupsink cutouts, left & right rear	350/159
9849000 [†]	12' w x 42" d, three pieces, no cutouts	480/218
9849001 [†]	12' w x 42" d, three pieces, cupsink cutout, left rear	480/218
9849002 [†]	12' w x 42" d, three pieces, cupsink cutout, right rear	480/218
9849003** [†]	12' w x 42" d, three pieces, cupsink cutout, left side	480/218
9849004** [†]	12' w x 42" d, three pieces, cupsink cutout, right side	440/218
9849005 [†]	12' w x 42" d, three pieces, cupsink cutouts, left & right rear	480/218
9849100 [†]	16' w x 42" d, three pieces, no cutouts	550/249
9849101 [†]	16' w x 42" d, three pieces, cupsink cutout, left rear	550/249
9849102 [†]	16' w x 42" d, three pieces, cupsink cutout, right rear	550/249
9849103** [†]	16' w x 42" d, three pieces, cupsink cutout, left side	550/249
9849104** [†]	16' w x 42" d, three pieces, cupsink cutout, right side	550/249
9849105 [†]	16' w x 42" d, three pieces, cupsink cutouts, left & right rear	550/249

[†]Not for use with Protector Solvent Storage Cabinets

[†]Requires field assembly



SpillStopper™ Work Surfaces



For use with Protector® ClassMate® Laboratory Hoods

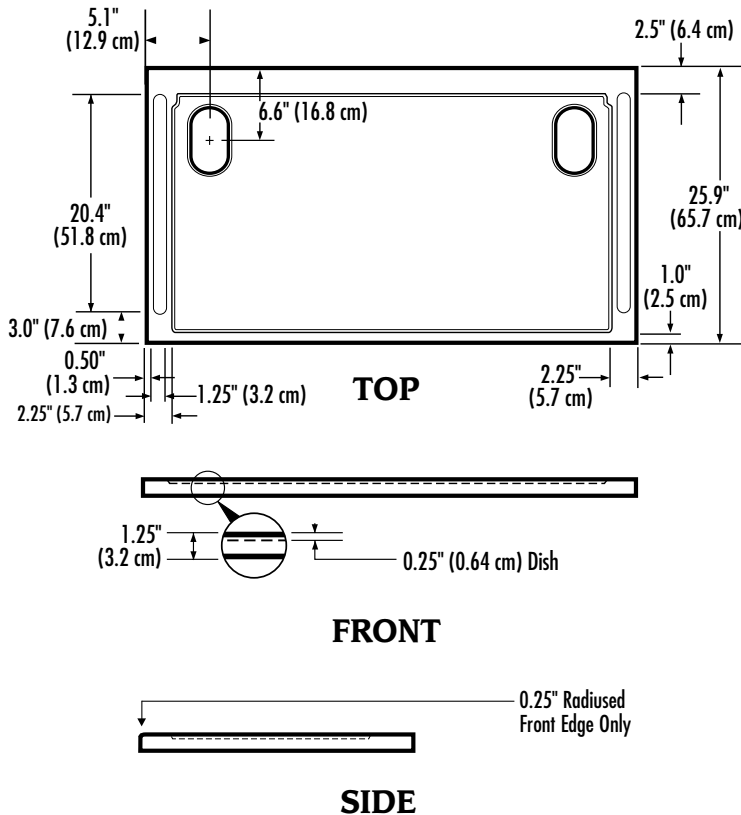
Catalog #	Description	Shipping Wt. lbs./kg
6986400	4' w x 25.9" d, no cutouts	110/50
6986401	4' w x 25.9" d, cupsink cutout, left rear	110/50
6986402	4' w x 25.9" d, cupsink cutout, right rear	110/50
6986403	4' w x 25.9" d, cupsink cutouts, left and right rear	110/50
6986500	5' w x 25.9" d, no cutouts	150/68
6986501	5' w x 25.9" d, cupsink cutout, left rear	150/68
6986502	5' w x 25.9" d, cupsink cutout, right rear	150/68
6986503	5' w x 25.9" d, cupsink cutouts, left and right rear	150/68
6986600	6' w x 25.9" d, no cutouts	205/93
6986601	6' w x 25.9" d, cupsink cutout, left rear	205/93
6986602	6' w x 25.9" d, cupsink cutout, right rear	205/93
6986603	6' w x 25.9" d, cupsink cutouts, left and right rear	205/93

For use with Protector® Pass-Through Laboratory Hoods

Catalog #	Description	Shipping Wt. lbs./kg
9972400	4' w x 30" d, no cutouts	110/50
9972500	5' w x 30" d, no cutouts	150/68
9972600	6' w x 30" d, no cutouts	205/93

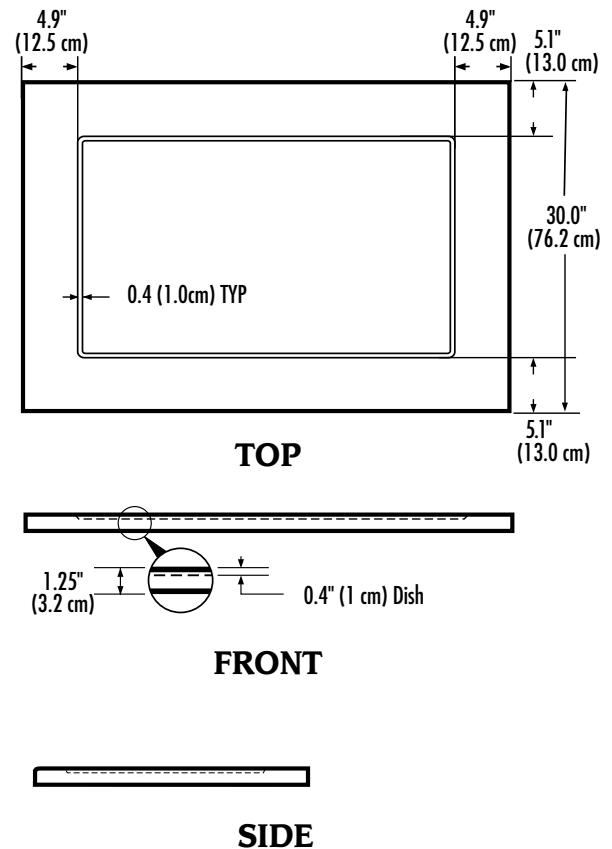
Dimensional Data

SpillStopper Work Surfaces for Use with Protector® ClassMate® Laboratory Hoods



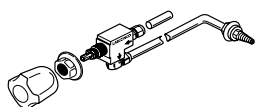
Dimensional Data

SpillStopper Work Surfaces for Use with Protector® Pass-Through Laboratory Hoods





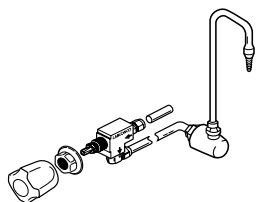
Accessories



Standard Service Fixture Kits

For mounting on the left or right side of any Protector Premier, XStream, XL or PVC Hood. Each kit includes one remotely-controlled service fixture with valve and 0.25" diameter tubing, color-coded fixture knob and color-coded hose connector.* **Inlet tubing is not included.** Shipping weight 4 lbs. (1.8 kg)

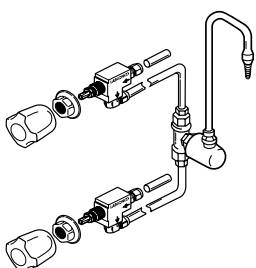
Catalog #	Kit	Tubing	Valve	Knob/Connector Color	Max. Flow Rate	Max. Working Pressure†
9808300**	Cold Water (CW)	Copper	Brass	Green	3.5 GPM (13.2 LPM)	40 psi
9808400**	Air (AIR)	Copper	Brass	Orange	23.7 CFM	40 psi
9808500**	Vacuum (VAC)	Copper	Brass	Yellow	8.6 CFM	14.7 psi
9808700**	Gas (GAS)	Brass	Brass	Blue	29.0 CFM (441 BTU/sec)	40 psi
9808800**	Argon (ARG)	Copper	Brass	Gray	20.2 CFM	40 psi
9808900**	Hot Water (HW)	Copper	Brass	Red	3.5 GPM (13.2 LPM)	40 psi
9809100**	Deionized/ Distilled Water (DI)	Stainless Steel	Nickel-Plated & Stainless Steel	White	3.5 GPM (13.2 LPM)	40 psi
9809200**	Steam (STM)	Copper	Brass	Black	0.5 LBM/min	40 psi
9809300**	Nitrogen (NIT)	Copper	Brass	Brown	24.1 CFM	40 psi
9809700**††	Oxygen (OXY)	Copper	Brass with Oxygen- Compatible Lubricant	Light Green	22.6 CFM	40 psi



Cold Water Gooseneck Fixture Kits

For mounting on the left or right side of any Protector Premier, XStream, PVC, Stainless Steel or XL Laboratory Hood with interior depth less than 37.7". Each kit includes one remotely-controlled gooseneck with brass valve and 0.375" diameter copper tubing and green fixture knob. **Inlet tubing is not included.** Contact Labconco for ordering information on Gooseneck Fixture Kits for Protector Hoods with interior depths greater than 37.7". Shipping Weight 10 lbs. (4.5 kg)

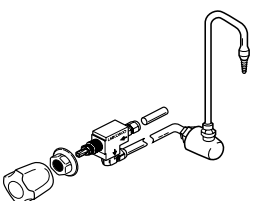
Catalog #	Kit	Description	Max. Flow Rate	Max. Working Pressure††
9827900**	Cold Water (CW) Gooseneck	For Hood with Interior Depths less than 37.7". Includes green epoxy-coated brass rigid/swivel gooseneck.	3.5 GPM (13.2 LPM)	40 psi
9857700†††	Cold Water (CW) Gooseneck	For Hoods with Interior Depths less than 37.7". Includes gray PVC rigid gooseneck.	3.5 GPM (13.2 LPM)	40 psi



Hot and Cold Water Mixing Gooseneck Fixture Kit

For any Protector Premier, XStream, PVC, Stainless Steel or XL Laboratory Hood with interior depth less than 37.7". Each kit includes one remotely-controlled, white epoxy-coated, brass rigid/swivel gooseneck with brass valve and 0.25" diameter copper tubing, one green fixture knob and one red fixture knob. **Inlet tubing is not included.** Contact Labconco for ordering information on Gooseneck Fixture Kits for Protector Hoods with interior depths of 43.7" or 55.7". Shipping weight 11 lbs. (5.0 kg)

Catalog #	Kit	Description	Max. Flow Rate	Max. Working Pressure††
9828000†††	Hot (HW) and Cold Water (CW) Mixing Gooseneck	For Hoods with Interior Depths of 24" to 37.7"	3.5 GPM (13.2 LPM)	40 psi



Deionized/Distilled Water Gooseneck Fixture Kit

For mounting on the left or right side of any Protector Premier, XStream, PVC, Stainless Steel or XL Laboratory Hood with interior depth less than 31". Each kit includes one remotely-controlled, gray PVC rigid gooseneck with stainless steel valve and 0.25" diameter tubing and white fixture knob. Contact Labconco for ordering information on Gooseneck Fixture Kits for Protector Hoods with interior depths of 43.7" or 55.7". **Inlet tubing is not included.** Shipping weight 10 lbs. (4.5 kg)

Catalog #	Kit	Description	Max. Flow Rate	Max. Working Pressure††
9853400†††	Deionized/Distilled Water (DW) Gooseneck	For Hoods with Interior Depths less than 37.7"	3.5 GPM (13.2 LPM)	40 psi

GPM=gallons per minute LPM=liters per minute CFM=cubic feet per minute BTU/sec=British thermal unit per second LBM/min=pounds mass per minute
 * Contact Labconco for ordering information on Standard Service Fixtures with chrome-plated brass hose connectors for Protector Stainless Steel Hoods.
 † Maximum allowable pressure is 200 psi with a working pressure of 40 psi. **Protector Stainless Steel and PVC Hoods require drilled hole in liner.
 †† WaterSaver is a registered trademark of WaterSaver Company.
 ††† Requires 1.375" dia. drill hole in liner.



Accessories

3-Sided Ceiling Enclosure Kits for Premier, XL and XStream Hoods

The panels extend above the top of the hood to the ceiling to hide exposed ductwork, plumbing and wiring. For any 3 ft to 8 ft XL, Premier or XStream Fume Hood. Each kit includes three glacier white powder-coated steel ceiling enclosure panels, one for the front of the hood and one for each side of the hood.

Configure Your Ceiling Enclosure Kit Catalog Number

Use this key to configure the seven digit catalog number to order your 3-Sided Ceiling Enclosure Kit. For example, **9414511** is a 3-Sided Ceiling Enclosure Kit for a 5' Protector XStream Hood with a height range of 14-19".

9 4 1 4

Step 1: Select the **nominal width** of your fume hood. This is the fifth digit of the catalog number.

Number	Nominal Width
3	3' (XL only)
4	4'
5	5'
6	6'
7	7' (XL only)
8	8'

Step 2: Select the **depth** based on the model chosen. Choose 0 for Premier, 1 for XStream or 0, 1 or 2 for the correct depth of the XL model. This is the sixth digit of the catalog number.

Number	Exterior Depth	Model
0	31.7"	Premier & XL
1	37.7"	XStream & XL
2	43.7"	XL

Step 3: Choose the correct **height range** that matches the number. This height range should match the height between the top of the hood and the building ceiling. This is the seventh digit of the catalog number.

Number	Height Range
0	11-14"
1	14-18.6"
2	18.6-24.4"

3-Sided Ceiling Enclosure Kits for Stainless Steel and PVC Laboratory Hoods

The panels extend above the top of the hood to the ceiling to hide exposed ductwork, plumbing and wiring. For any Stainless Steel or PVC Laboratory Hood. Each kit includes three glacier white powder-coated steel ceiling enclosure panels, one for the front of the hood and one for each side of the hood.

Hood Width	Hood Interior Depth	Enclosure Height Range in Inches		
		10.1/13.1	13.1/17.6	17.6/24.5
4'	24"	9852003	9852004	9852005
	30"	9852103	9852104	9852105
	36"	9852203	9852204	9852205
5'	24"	9852009	9852010	9852011
	30"	9852109	9852110	9852111
	36"	9852209	9852210	9852211
6'	24"	9852015	9852016	9852017
	30"	9852115	9852116	9852117
	36"	9852215	9852216	9852217
8'	24"	9852021	9852022	9852023
	30"	9852121	9852122	9852123
	36"	9852221	9852222	9852223

NOTE: If fume hoods are side by side, some side panels may not be necessary. Please contact Labconco for assistance.



Accessories

Front Ceiling Enclosure Kits for Pass-Through, Stainless Steel or PVC Hoods

The enclosure panel extends above the top of the front of the hood to the ceiling to hide exposed ductwork and wiring. For any Protector Pass-Through, Stainless Steel or PVC Laboratory Hood. Each kit includes one glacier white powder-coated steel ceiling enclosure panel for the front of the hood.

Hood Width	Enclosure Height Range in Inches		
	10.1/13.1	13.1/17.6	17.6/24.5
4'	9852303	9852304	9852305
5'	9852309	9852310	9852311
6'	9852315	9852316	9852317
8'	9852321	9852322	9852323

Side Ceiling Enclosure Kits for Stainless Steel & PVC Hoods

The enclosure panel extends above the top of the side of the hood to the ceiling to hide exposed ductwork and wiring. For any Protector Stainless Steel or PVC Laboratory Hood. Each kit includes one glacier white powder-coated steel ceiling enclosure panel for one side of the hood.

Hood Side	Hood Interior Depth	Enclosure Height Range in Inches		
		10.1/13.1	13.1/17.6	17.6/24.5
Right	24"	9852403	9852404	9852405
Right	30"	9852409	9852410	9852411
Right	36"	9852415	9852416	9852417
Left	24"	9833703	9833704	9833705
Left	30"	9833709	9833710	9833711
Left	36"	9833715	9833716	9833717

Rear Finish Panel Kits

The panel hides the hood's interior components. Recommended when hood is mounted on a casework island (and exposed on the back), each kit includes a glacier white powder-coated steel panel to provide a finished appearance for the rear of the hood. Contact Labconco for ordering information on Rear Finish Panels for Protector XL Floor-Mounted Hoods.

Catalog#	Nominal Width	Dimensions (w x h)	For use with Protector Hood:	Shipping Weight lbs./kg
9419300	3 Feet	36" x 59"	XL	53/24
9419400	4 Feet	48" x 59"	XL, Premier, XStream	70/32
9419500	5 Feet	60" x 59"	XL, Premier, XStream	20/36
9419600	6 Feet	72" x 59"	XL, Premier, XStream	90/41
9419700	7 Feet	84" x 59"	XL	108/49
9419800	8 Feet	96" x 59"	XL, Premier, XStream	120/54
6987300	4 Feet	43" x 9.5"	ClassMate	20/9
6987301	5 Feet	55" x 9.5"	ClassMate	25/12
6987302	6 Feet	67" x 9.5"	ClassMate	30/14
9851800	4 Feet	48" x 59"	Stainless Steel, PVC	70/32
9851801	5 Feet	60" x 59"	Stainless Steel, PVC	80/36
9851802	6 Feet	72" x 59"	Stainless Steel, PVC	90/41
9851803	8 Feet	96" x 59"	Stainless Steel, PVC	120/54
9851804	10 Feet	120" x 59"	XL	160/73
9851805	12 Feet	144" x 59"	XL	180/82
9851806	16 Feet	192" x 59"	XL	240/109

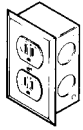


Accessories



4852600 Side-Mount Oval Polypropylene Cupsink

Mounts on side wall of Protector XL Floor-Mounted Hoods. 6" x 3" cupsink. 1.5" NPSM* thread. **Requires a 1.875" diameter drilled hole in liner.** Shipping weight 4 lbs. (1.8 kg)



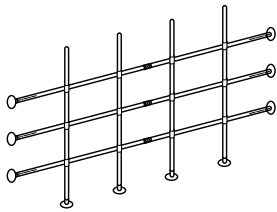
Duplex Electrical Receptacle Kits

For mounting in left or right side of any 3', 4', 5', 6', 7' or 8' Protector Premier, XStream, XL, PVC Perchloric Acid Hood or Stainless Steel Laboratory Hood. Each kit includes duplex electrical receptacle, wiring, junction box and receptacle cover plate. Contact Labconco for ordering information on Duplex Electrical Receptacle Kits for Protector Hoods with widths of 10', 12' or 16'.

Catalog #	Kits	For Hood with exterior widths:	Shipping Wt. lbs./kg
9851100	115 volts, 20 amps AC, 60 Hz	3', 4', 5', 6', 7' and 8'	4/1.8
9851500	115 volts, 20 amps AC, GFCI, 60 Hz	3', 4', 5', 6', 7' and 8'	4/1.8
9854200	230 volts, 20 amps AC, 60 Hz	3', 4', 5', 6', 7' and 8'	4/1.8

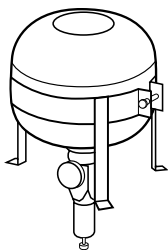
Distillation Grid Kits

Kits include stainless steel rods, connectors, instruction sheet and drill template.



Catalog #	Description	For use with Protector Hood:	Shipping Wt. lbs./kg
6973300	4 Feet	ClassMate	15/7
6973301	5 Feet	ClassMate	20/9
6973302	6 Feet	ClassMate	25/11
9725204	4 Feet	Premier, XStream, XL Benchtop	10/4.5
9725205	5 Feet	Premier, XStream, XL Benchtop	15/6.8
9725206	6 Feet	Premier, XStream, XL Benchtop	20/9.1
9725200	8 Feet	Premier, XStream, XL Benchtop	25/11.3
9725201	10 Feet	XL Benchtop	30/13.6
9725202	12 Feet	XL Benchtop	35/15.9
9725203	16 Feet	XL Benchtop	45/20.4

Contact Labconco for ordering information on distillation grids for Protector XL Floor-Mounted Hoods.



1115003

Snuffer™ Fire Extinguishers

Use ABC dry powder to provide fire protection to Protector and Basic Hoods. A fusible link melts at 165° F (74° C) and chemical powder automatically discharges within 5 seconds to extinguish the fire. A pressure gauge permits visual inspection. Rechargeable. **A drilled hole is required in hood liner.** Labconco recommends factory installation. Contact Labconco for selection assistance based on your application, hood liner material, hood width and depth.

Catalog #	Description	Charge Weight lbs./kg	Shipping Weight lbs./kg
1115003	Stainless steel cylinder mounts vertically above hood liner. UL listed.	5/2.3	9/4.0
1115004	Stainless steel cylinder mounts vertically above hood liner. UL listed.	8/3.6	14/6.

Snuffer Selection Chart

Width of Hood	3'				4'				5'				6'				7'				8'				10'				12'				16'					
Interior Depth of Hood**	24"	30"	36"	48"	24"	30"	36"	48"	24"	30"	36"	48"	24"	30"	36"	48"	24"	30"	36"	48"	24"	30"	36"	48"	24"	30"	36"	48"	24"	30"	36"	48"	24"	30"	36"	48"		
Catalog Number	Number of Extinguishers Required																																					
1115003	1	1	2	2	1	1	2	2	1	2	2	2	2	2																								
1115004									1						1	1	1	1	2	1	1	1	2	1	1	2	1	2	2	2	2	2	3	2	2	2	3	3

* National Pipe Straight Mechanical

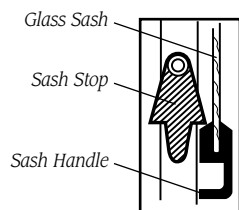
**Choose the Snuffer closest in depth to your Protector or Basic Hood.



Accessories

9808310 Washdown Valve Kit

For mounting on the left or right side of any Protector Stainless Steel or PVC Perchloric Acid Hood or Acid Digestion Hood. Provides water for up to three wash rings in ductwork. (Wash rings are sold separately. See Blower Booklet.) Kit includes one remotely controlled fixture with brass valve (Requires field installation), 0.375" diameter copper tubing and color-coded fixture knob. **Inlet tubing is not included.** Maximum flow rate is 3 GPM. Maximum working pressure is 40 psi. Shipping weight 4 lbs. (1.8 kg)



Sash Stop Kits

A Sash Stop restricts how far a vertical-rising sash may be opened. This small plastic device may be easily field installed on the fixture panel of many of our popular hoods. These hoods have been factory-prepared to accommodate a sash stop at the 60%-62.5% open position (18" to work surface). Alternate sash positions may be field drilled. Each Sash Stop Kit includes components for one sash. Shipping weight 0.5 lb. (0.2 kg)

Catalog #	For use with Hood:
9410300	3' to 8' Benchtop Premier, XL, XStream
9724500	PVC, Stainless Steel, Pass-through
9724502	10', 12' XL Benchtop with dual sash



3925000 Utility Shelves

For use with Protector XStream Laboratory Hoods, Paramount Ductless Enclosures, Protector XVS Ventilation Stations and Protector Work Stations. Three powder-coated steel shelves attach to the rear baffle perforations to hold items such as a balance printer, utensils and other miscellaneous supplies. The utensil shelf has a scalloped front edge to support scalpels, forceps and other items. Shipping weight 5 lbs. (2 kg)



3927700 Bottle Holder

For use with Protector XStream Laboratory Hoods, Paramount Ductless Enclosures, Protector XVS Ventilation Stations and Protector Work Stations. Powder-coated steel. Attaches to the rear baffle perforations to hold a squirt bottle or other round container. 3" diameter opening. Shipping weight 1 lb. (0.5 kg)



3927800 Tissue Holder

For use with Protector XStream Laboratory Hoods, Paramount Ductless Enclosures, Protector XVS Ventilation Stations and Protector Work Stations. Powder-coated steel. Attaches to the rear baffle perforations to hold tissue wipers in the upside down position. An opening in the bottom of the holder permits wipers to be dispensed from the bottom. Shipping weight 1 lb. (0.5 kg)

Guardian™ Airflow Monitors

Sense and alert the operator to low airflow conditions. From the monitor's face plate, the user can easily select and calibrate a set point between 30 and 250 fpm using a velocity meter and a screwdriver. Audible/ visual alarm. Includes night setback, external alarm and alarm mute functions. Flush-mount design on Protector Premier, XStream and XL Fume Hoods (up to 8' models.)

Catalog #	Ranges	For use with Hood:	Shipping Wt. lbs./kg
9413300	100-115 volts, 50/60 Hz	Premier, XStream, XL	6/2.7
9413301*	208-230 volts, 50/60 Hz	Premier, XStream, XL	6/2.7

Guardian™ Digital Airflow Monitors

Guardian™ Digital Airflow Monitor senses and alerts the operator to low airflow conditions. LCD displays actual airflow in fpm or m/sec. Audible/visual alarm alerts the user to sustained low velocity condition. Calibration instructions displayed on LCD. Each monitor also includes a temperature-compensated sensor, external alarm, night setback and alarm mute functions. Flush-mount design on Protector Premier, XStream and XL Fume Hoods (up to 8' models). Contact Labconco for optional temperature sensor and optional RS-485 port for Modbus** RTU communication.

Catalog #	Ranges	For use with Hood:	Shipping Wt. lbs./kg
9413400	100-115 volts, 50/60 Hz	Premier, XStream, XL	6/2.7
9413401*	208-230 volts, 50/60 Hz	Premier, XStream, XL	6/2.7

*International electrical configuration

**Modbus is a registered trademark of Schneider Automation



Accessories



Guardian™ 1000 Digital Airflow Monitor Kits

Monitor and alert the operator to low airflow conditions. Include face plate with circuit board, electrical power pack, airflow hose and flow hose adapter. LCD displays actual airflow in fpm or m/sec from 0 to 999 fpm (0 to 5.0 m/s). Audible/visual alarm alerts user to sustained low velocity condition. Calibration instructions displayed on LCD. LED lights display red for alarm, yellow for caution, green for normal. Include temperature-compensated sensor, external alarm, night setback and alarm mute functions. UL and CE listed. For installation in a factory-prepared cutout on upper portion of right fixture panel. Contact Labconco for ordering information on an optional factory-prepared RS-485 port for Modbus[†] RTU communication.

Catalog #	Description	For use with Hood:	Shipping Wt. lbs./kg
9743211	115 volts, 60 Hz	XL > 8', Pass through, Stainless Steel and PVC	6/2.7
9743212*	230 volts, 50/60 Hz	XL > 8', Pass through, Stainless Steel and PVC	6/2.7



Guardian™ 500 Airflow Monitor Kits

Monitor and alert the operator to low airflow conditions. Include face plate with circuit board, electrical power pack, vinyl tubing and airflow tube adapter. From the monitor's face plate, the user can easily select and calibrate a setpoint between 30 and 250 fpm using a velocity meter and a screwdriver. A green LED glows to indicate "safe" when airflow is greater than the low setpoint. A red LED flashes to indicate "low" when airflow is below the low setpoint. An amber LED flashes when the sash is raised above the maximum safe working opening. An audible alarm sounds (and can be muted) when under "low" and "sash high" conditions. Include night setback, external alarm and alarm mute functions. For installation in a factory-prepared cutout on upper portion of right fixture panel.

Catalog #	Description	For use with Hood:	Shipping Wt. lbs./kg
9743213	115 volts, 60 Hz	XL > 8', Pass through, Stainless Steel and PVC	6/2.7
9743214*	230 volts, 50/60 Hz	XL > 8', Pass through, Stainless Steel and PVC	6/2.7



9743203 Guardian™ 335 Digital Airflow Monitor Kit

For use on Protector ClassMate Laboratory Hoods only. Monitors and alerts the operator to low airflow conditions. Includes face plate with circuit board, electrical power pack, vinyl tubing, side wall flow tube adapter and wiring instructions. From the monitor's face plate, the user can easily select and calibrate a setpoint between 50 and 250 fpm using a velocity meter. An LCD displays actual face velocity. If the hood's face velocity falls below the programmable setpoint, an audible alarm sounds and the LOW indicator glows red. The TEST RESET switch, when pressed, mutes the audible alarm. The EMERG. PURGE switch, when configured and pressed, can be used to activate a relay to open a hood damper (not included). **Requires cutout in upper right portion of front panel.** Contact Labconco for ordering information on Guardian Digital Airflow Monitors for other Protector Hoods.



9743204 Guardian™ Jr. Airflow Monitor Kit

For use on Protector ClassMate Laboratory Hoods only. Monitors and alerts the operator to low airflow conditions. Includes face plate with circuit board, electrical power pack, vinyl tubing and airflow tube adapter. From the monitor's face plate, the user can easily select and calibrate a setpoint between 30 and 250 fpm using a velocity meter and a screwdriver. If the hood's face velocity falls below the setpoint for more than 6 seconds, an audible alarm sounds and the ALERT indicator glows red. The TEST RESET switch, when pressed, mutes the alarm. For installation in a factory-prepared cutout on upper portion of right fixture panel. **Requires cutout in upper right portion of front panel.** Shipping weight 6 lb.s (2.7 kg)

*UL[®] is a registered trademark of UL LLC

**International electrical configuration

[†]Modbus is a registered trademark of Schneider Automation



Labconco Corporation • 8811 Prospect Avenue • Kansas City, Missouri 64132-2696
800-821-5525 • 816-333-8811 • Fax: 816-363-0130 • labconco@labconco.com • www.labconco.com